
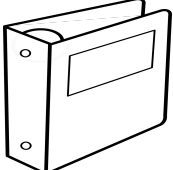



Cohoes Middle School

Sixth Grade Supply List 2024-2025

Supplies

- ❖ Calculator - TI30XIIS ****Optional for Home Use****
- ❖ One (1) package of loose-leaf paper
- ❖ Five (5) packages of #2 pencils with erasers
- ❖ Two (2) Package(s) of eraser caps
- ❖ Two (2) pairs of inexpensive earbuds (**not wireless**) to keep at school
- ❖ **All students** need two (2) composition notebooks
- ❖ Two (2) 2-pocket folders (for a HW folder and 1 for Art or Music)
- ❖ 1 Binder Pouch/Pencil Case for Three Ring Binder (optional)
- ❖ **Choose one** of the following options below:

<i>Option 1</i>	<i>Option 2</i>
<p>One (1) 3” 3 ring binder (can be zippered) Five (5) two-pocket folders with 3-hole punch (no metal clasps in folders)</p> <div style="display: flex; justify-content: space-around; align-items: center;">  <div style="text-align: center;">or</div>  </div>	<p>Two Accordion binders (5 or 6 sections)</p> <div style="text-align: center;">  </div>

Reminders:

- Please do not purchase backpacks with wheels or hard bottoms, as they won't fit in the lockers.
- Please complete the summer reading/math assignments. Additional copies are available at www.cohoes.org and in the CMS Office.

Enjoy your summer! We will see you in September!

Ms. Duff	Mrs. Heeney	Ms. Niles
Mrs. Fontaine	Mrs. Smith-Ball	Ms. Gresis
Ms. Geis	Mr. Huttig	Mr. Pepper

